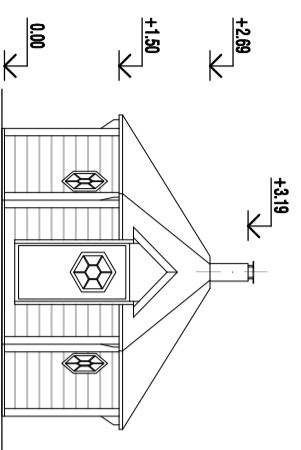
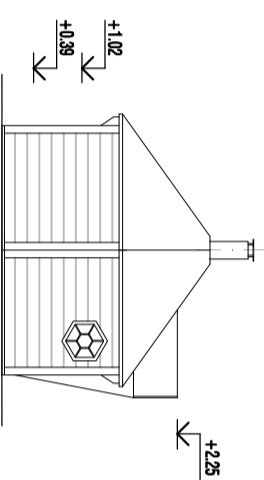


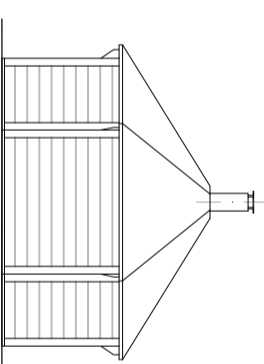
ELEVATION a



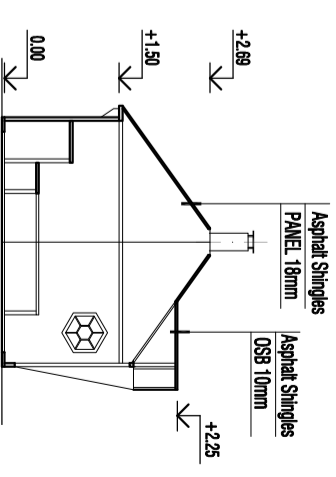
ELEVATION b



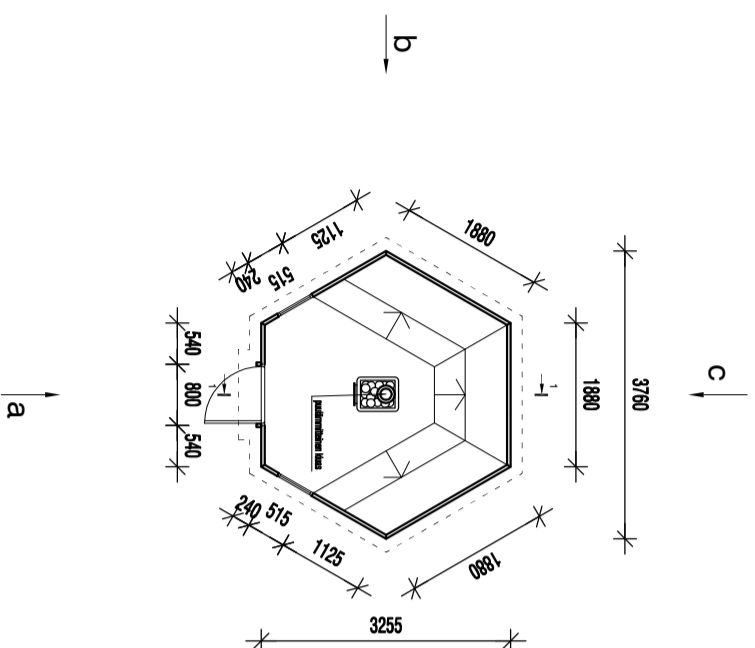
ELEVATION c



CROSS SECTION 1-1



FLOOR PLAN



FIRST FLOOR HEIGHT APPOINTMENT OF A CONSTRUCTION SITE
FIRST FLOOR +0.00

- 1. ROOFING CLOUR
- 2. WALL PANEL COLOUR

MUNICIPALITY / VILLAGE	PROPERTY	— SAUNA —	
STAGE	NEW CONSTRUCTION	SHEET NAME	THE MAIN DRAWING
BUILDING ADDRESS		DRAWINGS	ELEVATION a, b, c CROSS SECTION 1-1 FLOOR PLAN
PROJECT INFORMATION COMPILED PEETER AUNAPU 23.04.2013 construction engineer		DRAWING NUMBER WORK NUMBER	SCALE 1 : 100
		MODIFICATION	